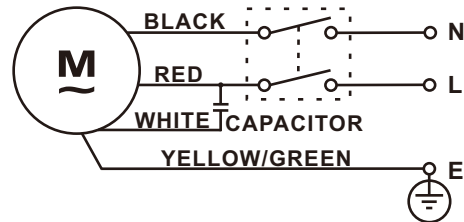


## **SPECIFICATION:**

Model No.	Dimension [mm]	Power [W]	Air Volume [m <sup>3</sup> /min]	Noise [dB]
APB15-3-A APB15-3-B	150	18	4.5	38
APB20-4-A APB20-4-B	200	25	8.2	42
APB25-5-A APB25-5-B	250	37	12.5	47
APB30-6-A APB30-6-B	300	46	18.5	49

**NOTE:** Rated voltage and frequency are stated as per rating label.

## **WIRING DIAGRAM:**



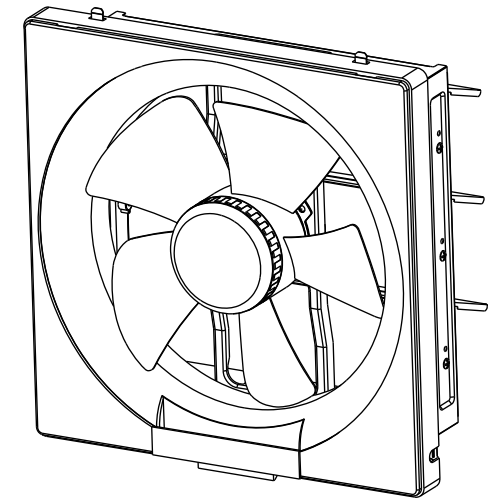
## **NOTICE:**

This appliance is not intended for use by person (including children) with reduced physical, sensory or mental capabilities or lack of experience and knowledge, unless they have been given supervision or instruction concerning use of the appliance by a person responsible for their safety.

Children should be supervised to ensure that they do not play with the appliance.

# OPERATING INSTRUCTIONS

## *VENTILATING FAN*



**Before using this unit, please read these instructions completely.**

## **WHERE TO INSTALL:**

For general exhaust ventilation, the unit should always be placed as high as possible in the window or wall above any source of smells or steam, such as the range in a kitchen. Install the fan in a window or wall as far as possible from doors. A diversion of the air flow should be always avoided by locating the unit as far away as possible from, and diagonally opposite, the main source of air replacement.

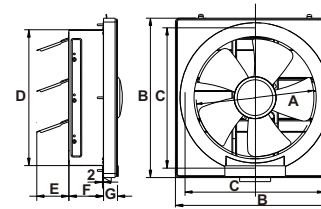
## **INSTALLATION CAUTIONS:**

- 1、 Do not install this fan where it would be exposed to direct water splash or excess vapor.
- 2、 Never install this fan in the ceiling.
- 3、 Never install this fan over cooking equipment.
- 4、 Use this fan at the rated voltage which indicated on the rating label.
- 5、 This fan should be mounted above 2.5m from the floor.
- 6、 For partition fans, that precautions must be taken to avoid the back-flow of gases into the room from outside.
- 7、 Use a device for disconnection from the supply, having a contact separation of at least 3mm in all poles.

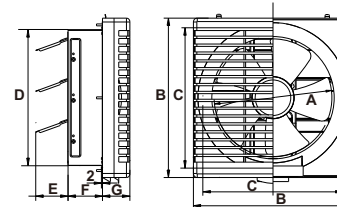
## **MAINTENANCE PRECAUTIONS:**

- 1、 First, ensure that the fan is switched off.
- 2、 Never use petrol, benzene, thinner or any other such chemicals for cleaning the ventilating fan.
- 3、 Do not allow water to contact electrical parts such as motor or switch.
- 4、 Do not immerse blade and other resin parts in hot water over 60°C.

## **DIAGRAM:**



APB-A Type



APB-B Type

[Units: mm]

Model No.	A	B	C	D	E	F	G
APB15-3-A	150	244	210	193	66	78	30
APB20-4-A	200	294	260	243	84	67	30
APB25-5-A	250	344	310	293	68	75	30
APB30-6-A	300	401	360	343	82	82	30
APB15-3-B	150	244	210	193	66	78	63
APB20-4-B	200	294	260	243	84	67	62
APB25-5-B	250	344	310	293	68	75	59
APB30-6-B	300	401	360	343	82	82	58

Fig.1

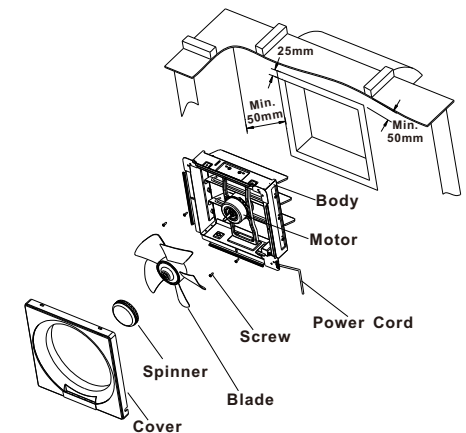
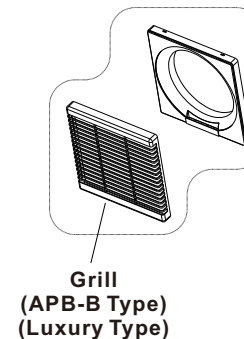


Fig.2